

## IPC-T120 2.0 MP CMOS Network Turret Camera



### Key Features

- 1/2.8" progressive scan CMOS
- Up to 2.0 megapixel
- 2.8 mm/4 mm/6 mm fixed focal lens
- 10 m IR range
- Dual stream
- Digital Wide Dynamic Range
- 3D DNR (Digital Noise Reduction)
- PoE (Power over Ethernet) optional
- Mobile monitoring via mobile application

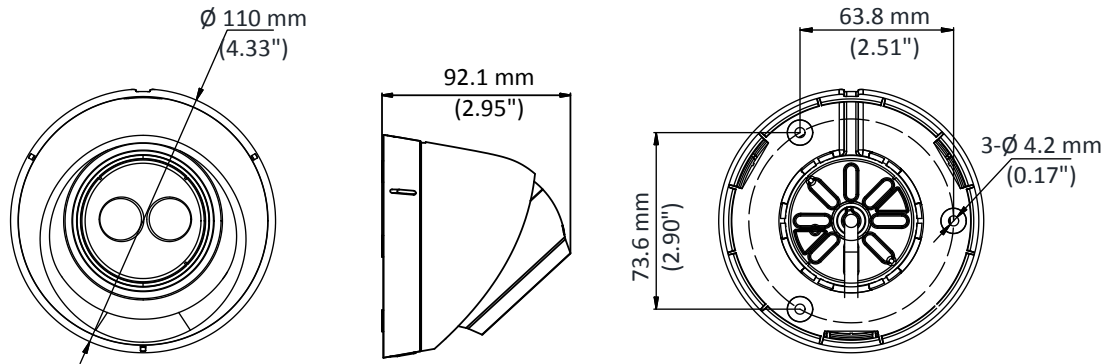
## Specifications

| <b>Camera</b>                  |  |
|--------------------------------|--|
| Image Sensor                   | 1/2.8" Progressive Scan CMOS   |
| Min. Illumination              | 0.01 Lux @(F1.2,AGC ON), 0 Lux with IR;<br>0.028 Lux @(F2.0,AGC ON), 0 Lux with IR                                     |
| Shutter Speed                  | 1/3 s to 1/100,000 s, support slow shutter   |
| Lens                           | 2.8 mm, horizontal field of view: 105.8° (4 mm: 83°, 6 mm: 55° optional)   |
| Lens Mount                     | M12  |
| Day & Night                    | IR cut filter with auto switch   |
| 3-Axis Adjustment              | Pan: 0° to 360°, tilt: 0° to 75°, rotation: 0° to 360°   |
| DNR (Digital Noise Reduction)  | 3D DNR   |
| WDR (Wide Dynamic Range)       | Digital WDR  |
| <b>Compression Standard</b>    |  |
| Video Compression              | Main stream: H.264+/H.264<br>Sub stream: H.264/MJPEG   |
| H.264 Type                     | Baseline Profile/Main Profile  |
| Video Bit Rate                 | 32 Kbps to 8 Mbps  |
| <b>Image</b>                   |  |
| Max. Resolution                | 1920 × 1080  |
| Main Stream<br>Max. Frame Rate | 50Hz: 25fps @(1920 × 1080, 1280 × 960, 1280 × 720)<br>60Hz: 30fps @(1920 × 1080, 1280 × 960, 1280 × 720)               |
| Sub-stream<br>Max. Frame Rate  | 50Hz: 25fps @(704 × 576, 640 × 480, 352 × 288, 320 × 240)<br>60Hz: 30fps @(704 × 480, 640 × 480, 352 × 240, 320 × 240) |
| Image Settings                 | Brightness, saturation, contrast, sharpness are adjustable via web browser or client software                          |
| Day/Night Switch               | Support auto, scheduled  |
| Others                         | Mirror, BLC (area configurable), region of interest (support 1 fixed region)   |
| <b>Network</b>                 |  |
| Detections                     | Motion Detection   |
| Alarms                         | Video tampering, network disconnected, IP address conflicted   |
| Protocols                      | TCP/IP, ICMP, HTTP, HTTPS, FTP, DHCP, DNS, DDNS, RTP, RTSP, RTCP, NTP, UPnP, SMTP, IGMP, 802.1X, QoS, IPv6, Bonjour    |
| Standard                       | ONVIF (PROFILE S), ISAPI   |
| General Function               | Anti-flicker, heartbeat, mirror, password protection, privacy mask, watermark, IP address filter                       |
| <b>Interface</b>               |  |
| Communication Interface        | 1 RJ45 10M/100M self-adaptive Ethernet port  |
| <b>General</b>                 |  |
| Operating Conditions           | -10 °C to 40 °C (-14 °F to 104 °F), Humidity 95% or less (non-condensing)  |
| Power Supply                   | 12 VDC ± 25%, PoE (802.3af)  |
| Power Consumption              | 12 VDC, 0.38 A, Max. 4.5 W<br>PoE (802.3af, 37 V to 57 V), 0.1 A to 0.16 A, Max. 6 W                                   |
| IR Range                       | 10 meters  |
| Dimensions                     | ∅ 110 mm × 92.1 mm (∅ 4.33" × 3.19")   |
| Weight                         | 190 g (0.4 lb.)  |

## Available Models

IPC-T120

## Dimension



## Accessory



DS-1272ZJ-110-TRS  
Wall Mounting Bracket



DS-1275ZJ  
Vertical Pole Mounting Bracket



DS-1280ZJ-XS  
Inclined Base Mounting Bracket



DS-1276ZJ  
Corner Mounting Bracket



DS-1281ZJ-S  
Inclined Base Mounting  
Bracket