

NVR-S-P Series



Key Features

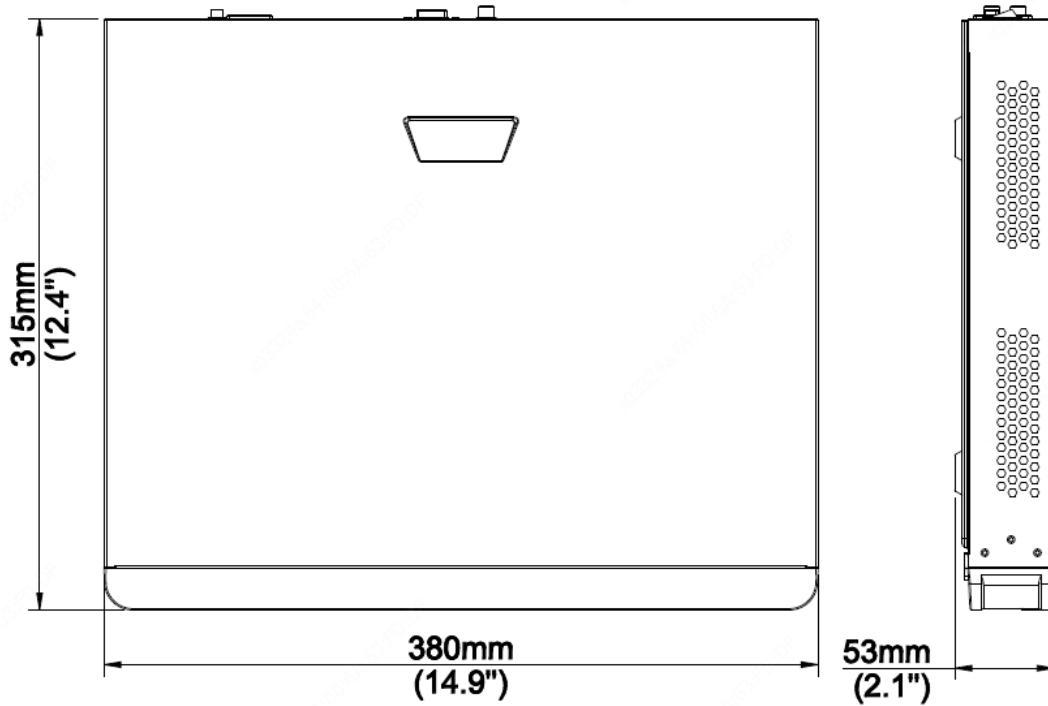
- Support Ultra265/H.265/H.264 video formats
- 8/16-channel input
- Plug & Play with 8/16 independent PoE network interfaces
- Third-party IP cameras supported with ONVIF conformance: Profile S, Profile G, Profile T
- Support HDMI and VGA simultaneous output
- Up to 8 Megapixels resolution recording
- 2 SATA HDDs, up to 10TB for each HDD
- ANR technology to enhance the storage reliability when the network is disconnected
- Support cloud upgrade

Specifications

Model	NVR-208S-P8	NVR-216S-P16
Video/Audio Input		
IP Video Input	8-ch	16-ch
Two-way Audio Input	1-ch, RCA	
Network		
Incoming Bandwidth	160Mbps	
Outgoing Bandwidth	96Mbps	
Remote Users	128	
Protocols	P2P, UPnP, NTP, DHCP, PPPoE	
Video/Audio Output		
HDMI/VGA Output	VGA: 1024X768@60, 1280X720@60, 1280X1024@60, 1920X1080@50, 1920X1080@60 HDMI: 4K(3840x2160@30), 4K (3840x2160@60), 1024X768@60, 1280X720@60, 1280X1024@60, 1920X1080@50,	

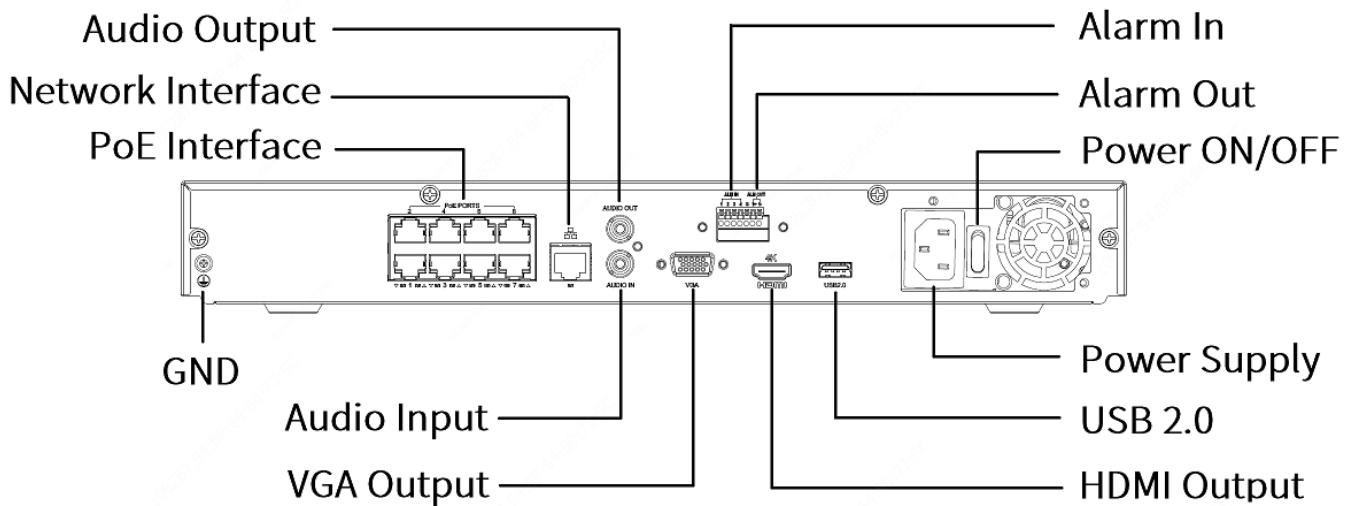
	1920X1080@60	
Recording Resolution	8MP/6MP/5MP/4MP/3MP/1080p/960p/720p/D1/2CIF/CIF	
Audio Output	1-ch, RCA	
Synchronous Playback	8-ch	16-ch
Corridor Mode Screen	3/4/5/7/9	3/4/5/7/9/10/12/16
Decoding		
Decoding format	Ultra265/H.265/H.264	
Live view/Playback	8MP/6MP/5MP/4MP/3MP/1080p/960p/720p/D1/2CIF/CIF	
Capability	1 x 4K@30, 2 x 4MP@30, 3 x 3MP@25, 4 x 1080P@30, 8 x 720P@30	1 x 4K@30, 2 x 4MP@30, 3 x 3MP@25, 4 x 1080P@30, 8 x 720P@30, 16 x D1
Hard Disk		
SATA	2 SATA interfaces	
Capacity	up to 10TB for each disk	
External Interface		
Network Interface	1 RJ-45 10M/100M/1000M self-adaptive Ethernet Interface	
USB Interface	Front panel: 1 x USB2.0, Rear panel: 1 x USB2.0	
Alarm In	4-ch	
Alarm Out	1-ch	
PoE		
Interface	8 independent 100Mbps PoE network interfaces	16 independent 100Mbps PoE network interfaces
Max Power	Max 30W for single port Max 130W in total (16.25W for each)	Max 30W for single port Max 240W in total (15W for each)
Supported Standard	IEEE 802.3af/at	
General		
Power Supply	220V AC Power Consumption: ≤9 W (without HDD)	
Working Environment	-10°C~+ 55°C (+14°F~+131°F), Humidity ≤ 90% RH (non-condensing)	
Dimensions (W×D×H)	380mm ×315mm × 53mm (15.0" × 12.4" ×2.1")	
Weight (without HDD)	≤2.4kg (5.29lb)	

Dimensions



Rear Panel

Take **NVR-208S-P8** for example



www.uniview.com/uniarch

©2019 Zhejiang Uniview Technologies Co., Ltd. All rights reserved.

*Product specifications and availability are subject to change without notice.

